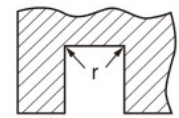
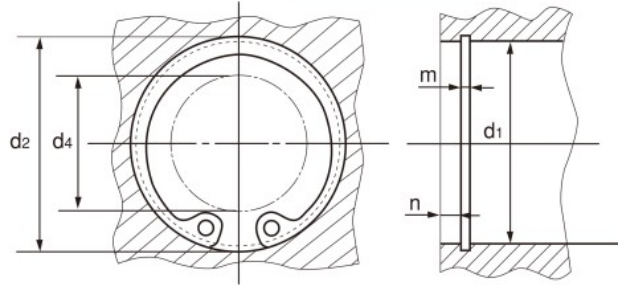
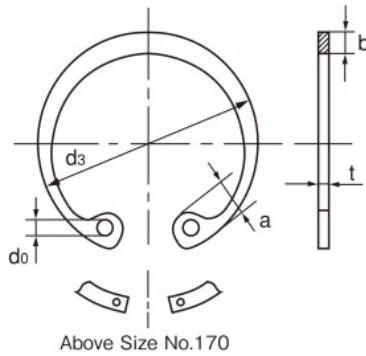


Retaining Rings (Internal) (RTW-6 through 65)

Groove Dimension



Size-No.	r (Max.)
26 under	0.13
26 Above	0.25

The dimension d_4 is the minimum diameter of inner periphery when the retaining ring is set in the hole.
 d_4 : CLEARANCE DIAMETER

Unit:mm

Size-No.	Ring dimension							Ref. d_4	Groove dimension					
	d_3		t		b	a	d_0		d_1	d_2		m		Ref. n
	Basic	Tol.	Basic	Tol.	Approx.	Approx.	Min.			Basic	Tol.	Basic	Tol.	
RTW- ※ 6	6.7	±0.18	0.4	±0.03	0.7	1.6	0.8	2.5	6	6.25	+0.04	0.5	+0.1	0.5
※ 7	7.7		0.4		0.8	1.7	0.8	3	7	7.3	+0.06	0.5		0.5
※ 8	8.8		0.4		0.9	1.7	0.8	3.5	8	8.4		0.5		0.6
※ 9	9.8		0.6	±0.04	1.1	2.2	0.8	4	9	9.4	0	0.7	0.6	
※ 10	10.7		1	±0.05	1.5	2.8	1.2	4	10	10.4	+0.11	1.15	0	0.6
※ 11	11.8		1		1.5	3	1.2	4	11	11.4		1.15		0.6
※ 12	13		1		1.7	3.1	1.5	5	12	12.5		1.15		0.8
※ 13	14.1		1		1.7	3.1	1.5	6	13	13.6		1.15		0.9
※ 14	15.1		1		1.9	3.6	1.7	7	14	14.6		1.15		0.9
※ 15	16.2		1		1.9	3.6	1.7	8	15	15.7		1.15		1.1
※ 16	17.3		1		1.9	3.7	1.7	8	16	16.8		1.15		1.2
※ 17	18.3		1		1.9	3.8	1.7	9	17	17.8		1.15		1.2
※ 18	19.5		1		2.4	4	1.7	10	18	19		1.15		1.5
19	20.5		1		2.5	4	2	11	19	20		1.15		1.5
20	21.5		1	2.5	4	2	12	20	21	1.15	1.5			
21	22.5		±0.2	1	2.5	4.1	2	12	21	22	+0.21	1.15	1.5	
22	23.5		1	2.5	4.1	2	13	22	23	0	1.15	1.5		
24	25.9	1.2	±0.06	2.5	4.3	2	15	24	25.2	+0.25	1.35	0	1.8	
25	26.9	1.2		3	4.4	2	16	25	26.2		1.35		1.8	
26	27.9	1.2		3	4.6	2	16	26	27.2		1.35		1.8	
28	30.1	1.2		3	4.6	2	18	28	29.4		1.35		2.1	
30	32.1	1.2		3	4.7	2	20	30	31.4		1.35		2.1	
32	34.4	1.2		3.5	5.2	2.5	21	32	33.7		1.35		2.6	
34	36.5	±0.25		3.5	5.2	2.5	23	34	35.7		1.65		+0.14	2.6
35	37.8	1.5		3.5	5.2	2.5	24	35	37		1.65		0	3.0
36	38.8	1.5		3.5	5.2	2.5	25	36	38		1.65		3.0	
37	39.8	1.5		3.5	5.2	2.5	26	37	39		1.65		3.0	
38	40.8	1.5	4	5.3	2.5	27	38	40	1.65	3.3				
40	43.5	±0.4	1.75	±0.07	4	5.7	2.5	28	40	42.5	+0.3	0	1.9	
42	45.5	1.75	4		5.8	2.5	30	42	44.5	1.9			3.8	
45	48.5	1.75	4.5		5.9	2.5	33	45	47.5	1.9			3.8	
※ 46	49.7	1.75	5		6.1	2.5	33	46	48.5	1.9			3.8	
47	50.5	1.75	4.5		6.1	2.5	34	47	49.5	1.9			3.8	
48	51.5	1.75	4.5		6.2	2.5	35	48	50.5	1.9			4.5	
50	54.2	±0.45	2		4.5	6.5	2.5	37	50	53			2.2	4.5
52	56.2	2	5.1		6.5	2.5	39	52	55	2.2			4.5	
55	59.2	2	5.1		6.5	2.5	41	55	58	2.2			4.5	
56	60.2	2	5.1		6.6	2.5	42	56	59	2.2			4.5	
58	62.2	2	5.1	6.8	2.5	44	58	61	2.2	4.5				
60	64.2	2	5.5	6.8	2.5	46	60	63	2.2	4.5				
62	66.2	2	5.5	6.9	2.5	48	62	65	2.2	4.5				
63	67.2	2	5.5	6.9	2.5	49	63	66	2.2	4.5				
65	69.2	±0.08	2.5	5.5	7	2.5	50	65	68	2.7	4.5			