

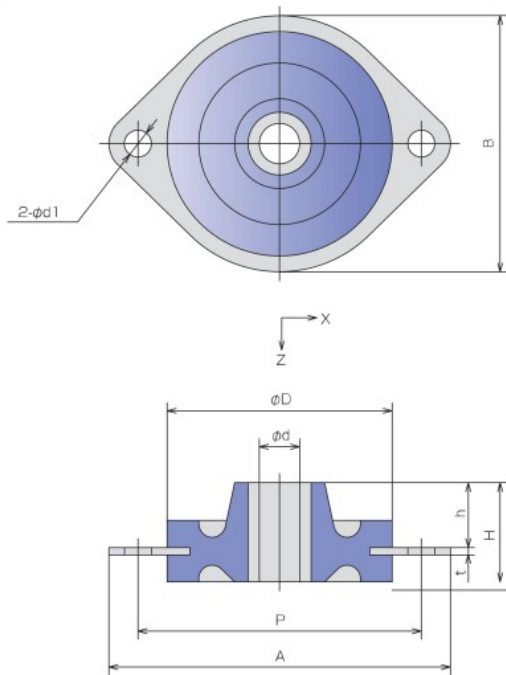
Features

1. Appropriate for lightweight equipment
2. High horizontal stability
3. Chloroprene rubber elastomer

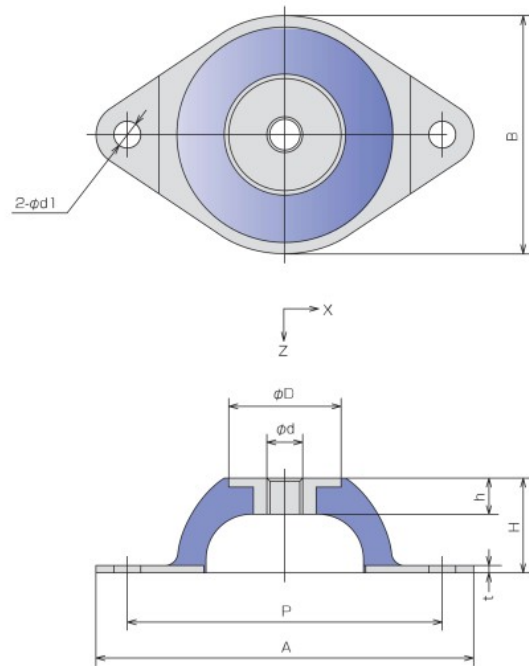
Typical applications

Business machine, Air conditioner,
Electronic equipment,
Small generator and other lightweight equipment

■ KP



■ KQ



Product number	Standard dimensions mm								
	A	B	H	P	D	d	d ₁	h	t
KP-32	42	32	11	36	25	4.5	3.6	7	1
KP-42	59	42	16	50	35	6.5	4.8	9.9	1.6
KP-57	76	57	22	63	50	9	6	14.4	1.6
KQ-27	43	27	11	36	14	M4	3.6	4.2	1.6
KQ-38	60	38	15	50	19	M6	4.8	6	1.6
KQ-53	84	53	21	70	27	M8	6	8	1.6

Product number	Support load N (kgf)	Permissible load N (kgf)	Spring constant N/mm (kgf/mm)	Spring constant ratio of X direction to Z direction
KP-32	20 { 2 }	25 { 2.5 }	19 { 1.9 }	2.2
KP-42	34 { 3.5 }	49 { 5 }	24 { 2.4 }	2.2
KP-57	59 { 6 }	78 { 8 }	29 { 3.0 }	2.2
KQ-27	25 { 2.5 }	34 { 3.5 }	21 { 2.1 }	0.5
KQ-38	59 { 6 }	78 { 8 }	31 { 3.2 }	0.5
KQ-53	140 { 14 }	180 { 18 }	55 { 5.6 }	0.5

The elastomer is chloroprene rubber and hardness spring 45.