

## STAINLESS STEEL PIPE FITTINGS, SCREWED TYPE REDUCING TEE

KITZ Fig: PRT(1)

Sizes: 3/8-2inch(10-50mm)

Standards

- End to End: JIS B2301
- End Connection: JIS B0203
- Wall Thickness: JIS B2301

Test Standard

- KITZ STANDARD

Conform to

RoHS 10-50 mm (3/8-2 inch)  
approved

Dimensions

SIZE (inch/mm)	L	L1	H	D1	Kg
3/8 10					
1/2 15					
3/4 20					
1 25					
1 1/4 32					
1 1/2 40					
2 50					

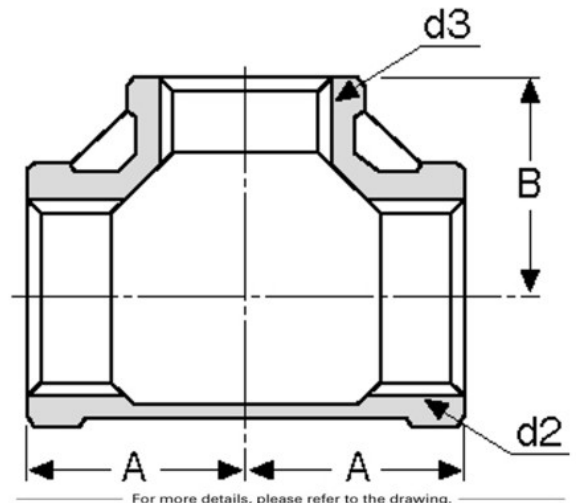
Specifications

STAINLESS STEEL PIPE FITTINGS, SCREWED TYPE REDUCING TEE

End to End : JIS B2301, End Connection : JIS B0203, Wall Thickness : JIS B2301, Test Standard : KITZ STANDARD, Sizes : 3/8-2inch(10-50mm), Conform to : RoHS 10-50 mm (3/8-2 inch),, KITZ Fig : PRT(1)



 RoHS



For more details, please refer to the drawing.

Pressure-temperature ratings and other performance data published in this catalog have been developed from our design calculation, in-house testing, field reports provided by our customers and/or published official standards or specifications. They are good only to cover typical applications as a general guideline to users of KITZ products introduced in this catalog. For any specific application, users are kindly requested to contact KITZ Corporation for technical advice, or to carry out their own study and evaluation for proving suitability of these products to such an application. Failure to follow this request could result in property damage and/or personal injury, for which we shall not be liable. Read instruction manual carefully before use.

# KITZ

KITZ CORPORATION 1-10-1 Nakase, Mihama-ku, Chiba 261-8577, Japan  
© KITZ Corporation. All Right Reserved.

ISO 9001  
CERTIFIED  
Since 1989