

## STAINLESS STEEL PIPE FITTINGS, SCREWED TYPE ELBOW UNION

KITZ Fig: PUL

Sizes: 3/8-1inch(10-25mm)

Standards

- End to End: KITZ STANDARD
- End Connection: JIS B0203
- Wall Thickness: KITZ STANDARD

Test Standard

- KITZ STANDARD

Conform to

RoHS 10-25 mm (3/8-1 inch)

approved

Dimensions

SIZE (inch/mm)	L	L1	H	D1	Kg
3/8 10					
1/2 15					
3/4 20					
1 25					

Specifications

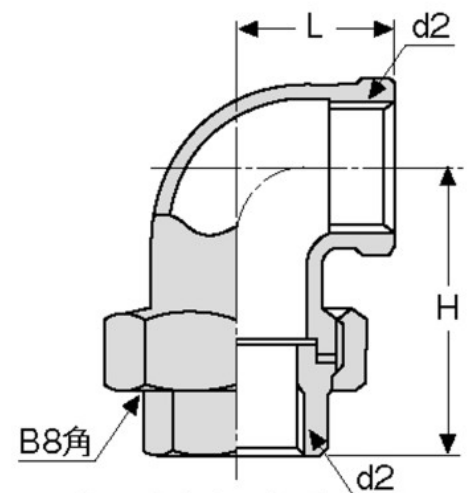
STAINLESS STEEL PIPE FITTINGS, SCREWED TYPE ELBOW UNION

End to End : KITZ STANDARD, End Connection : JIS B0203, Wall

Thickness : KITZ STANDARD, Test Standard : KITZ STANDARD, Sizes :

3/8-1inch(10-25mm), Conform to : RoHS 10-25 mm (3/8-1 inch), ,KITZ

Fig : PUL

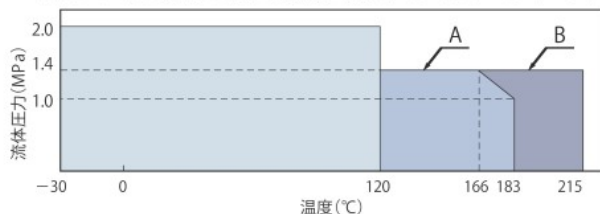


For more details, please refer to the drawing.

### ● ユニオンエルボ (PUL)・ユニオン (PU)

使用流体	最高許容圧力
-30℃~215℃の水系流体	下表
-30℃~150℃の油系流体 (芳香族流体は使用不可)	1.4MPa
-30℃~200℃のガス系流体 (有毒ガスおよび可燃性ガスは使用不可)	1.0MPa

配管ガasketとして使用する場合の使用期間の目安 A : 5~10年 B : 1~2年



Pressure-temperature ratings and other performance data published in this catalog have been developed from our design calculation, in-house testing, field reports provided by our customers and/or published official standards or specifications. They are good only to cover typical applications as a general guideline to users of KITZ products introduced in this catalog. For any specific application, users are kindly requested to contact KITZ Corporation for technical advice, or to carry out their own study and evaluation for proving suitability of these products to such an application. Failure to follow this request could result in property damage and/or personal injury, for which we shall not be liable. Read instruction manual carefully before use.

# KITZ

KITZ CORPORATION 1-10-1 Nakase, Mihama-ku, Chiba 261-8577, Japan  
© KITZ Corporation. All Right Reserved.

ISO 9001  
CERTIFIED  
Since 1989