

Cutters & Pliers

Wire strippers

Crimpers

Tweezers

Screwdrivers & Wrenches

Metal working

Parts boxes

Tool cases

Tool kits

Soldering irons & Solder

Parts & Solder removal equipment

Measuring instruments

Optical equipment

Antistatic products

Clean products

Chemical products

Maintenance & Safety products

Aluminum

Aluminum alloy sheets

ABS

A4 size and smaller

Nylon

Tool bags

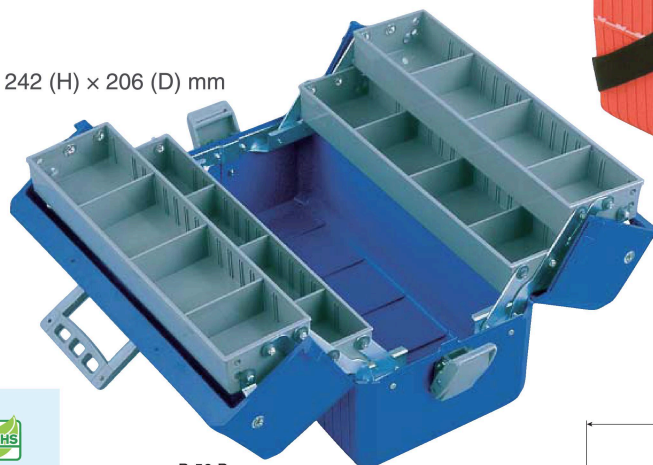
Tool boxes

Containers

Custom

B-56-O / B TOOL BOXESB-56-O (orange)
B-56-B (blue)

- Item tray × 4
- Divider × 16
- Material: ABS
- External dimensions: 413 (W) × 242 (H) × 206 (D) mm
- Weight: 3.8 kg
- Load capacity: 30 kg



B-56-B



SHOULDER BELT

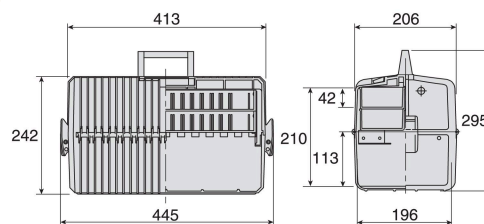
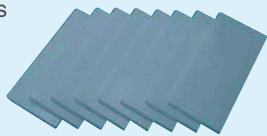
CAPACITY
16ℓ

B-56-O

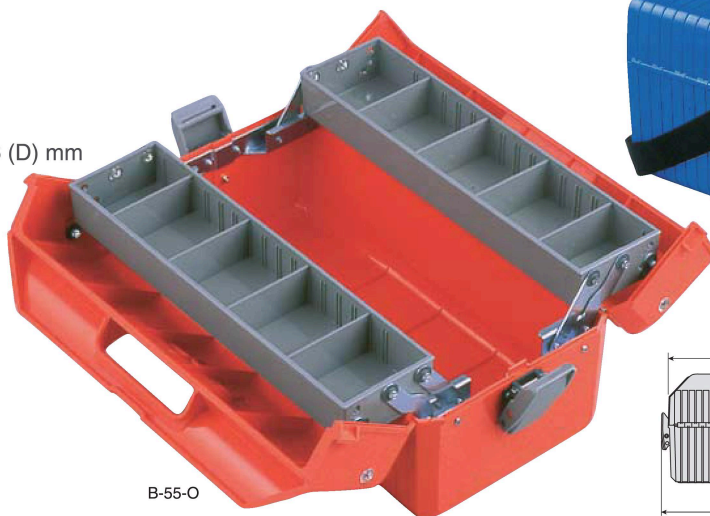
■ Replacement part

B-559 DIVIDER (for B-55 / 56)

- 8 pieces

**B-55-O / B** TOOL BOXESB-55-O (orange)
B-55-B (blue)

- Item tray × 2
- Divider × 8
- Material: ABS
- External dimensions: 413 (W) × 230 (H) × 206 (D) mm
- Weight: 2.9 kg
- Load capacity: 30 kg



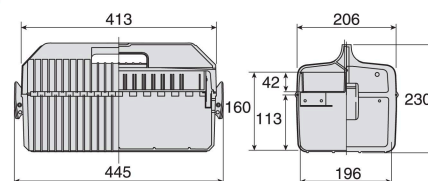
B-55-O



SHOULDER BELT

CAPACITY
12ℓ

B-55-B

**B-54-O / B** TOOL BOXESB-54-O (orange)
B-54-B (blue)

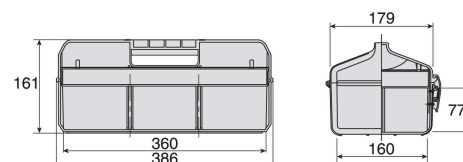
- Inner tray × 1
- Material: ABS
- External dimensions: 386 (W) × 161 (H) × 179 (D) mm
- Weight: 1.3 kg
- Load capacity: 20 kg



B-54-B

CAPACITY
6.5ℓ

B-54-O



The B-54 has a translucent pocket on the top for storing a cloth or work gloves, etc.