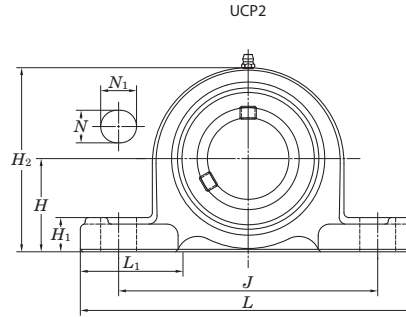
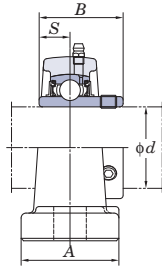


**UCP**  
**Cylindrical bore (with set screws)**  
**d 12 ~ (45) mm**



Shaft Dia. mm inch		Dimensions inch mm											Bolt Size inch mm	Standard			
		H	L	A	J	N	N <sub>1</sub>	H <sub>1</sub>	H <sub>2</sub>	L <sub>1</sub>	B	S		Unit No.	Housing No.	Bearing No.	
d																	
12	1/2	1 3/16	5	1 1/2	3 3/4	1/2	23/32	5/8	2 3/8	1 13/32	1.220	0.500	3/8 M10	UCP201 UCP201-8 UCP202 UCP202-10 UCP203	P203	UC201 UC201-8 UC202 UC202-10 UC203	
	15	5/8	30.2	127	38	95	13	18	16	60	36	31					12.7
	17																
20	3/4	1 5/16	5	1 1/2	3 3/4	1/2	23/32	5/8	2 9/16	1 13/32	1.220	0.500	3/8 M10	UCP204-12 UCP204	P204	UC204-12 UC204	
	20		33.3	127	38	95	13	18	16	65	36	31					12.7
25	7/8	1 7/16	5 1/2	1 1/2	4 1/8	1/2	23/32	5/8	2 3/4	1 1/2	1.343	0.563	3/8 M10	UCP205-14 UCP205-15 UCP205 UCP205-16	P205	UC205-14 UC205-15 UC205 UC205-16	
	15/16	36.5	140	38	105	13	18	16	70	38	34.1	14.3					
	1	1 3/4	6 1/4	2	4 11/16	21/32	31/32	5/8	3 3/8	1 27/32	1.500	0.626	1/2 M14	UCPX05 UCPX05-16	PX05	UCX05 UCX05-16	
	1	44.4	159	51	119	17	25	16	86	47	38.1	15.9					
1	1 49/64	6 7/8	1 3/4	5 3/16	21/32	25/32	5/8	3 11/32	2 5/32	1.496	0.591	1/2 M14	UCP305 UCP305-16	P305	UC305 UC305-16		
1	45	175	45	132	17	20	16	85	55	38	15						
30	1 1/8	1 11/16	6 1/2	1 7/8	4 3/4	21/32	13/16	21/32	3 5/16	1 7/8	1.500	0.626	1/2 M14	UCP206-18 UCP206 UCP206-19 UCP206-20	P206	UC206-18 UC206 UC206-19 UC206-20	
	1 3/16	42.9	165	48	121	17	21	17	84	48	38.1	15.9					
	1 1/4																
	1 3/16	1 7/8	6 7/8	2 1/4	5	21/32	31/32	21/32	3 21/32	2 5/32	1.689	0.689	1/2 M14	UCPX06 UCPX06-19 UCPX06-20	PX06	UCX06 UCX06-19 UCX06-20	
	1 1/4	47.6	175	57	127	17	25	17	93	55	42.9	17.5					
—	1 31/32	7 3/32	1 31/32	5 1/2	21/32	25/32	21/32	3 3/4	2 3/32	1.693	0.669	1/2 M14	UCP306	P306	UC306		
—	50	180	50	140	17	20	17	95	53	43	17						
35	1 1/4	1 7/8	6 9/16	1 7/8	5	21/32	13/16	23/32	3 3/4	1 27/32	1.689	0.689	1/2 M14	UCP207-20 UCP207-21 UCP207-22 UCP207 UCP207-23	P207	UC207-20 UC207-21 UC207-22 UC207 UC207-23	
	1 5/16	47.6	167	48	127	17	21	18	95	47	42.9	17.5					
	1 3/8																
	1 7/16	2 1/8	8	2 1/4	5 21/32	21/32	1 3/16	3/4	4 1/8	2 17/32	1.937	0.748	1/2 M14	UCPX07-22 UCPX07 UCPX07-23	PX07	UCX07-22 UCX07 UCX07-23	
	1 3/8	54	203	57	144	17	30	19	105	64	49.2	19					
—	2 13/64	8 9/32	2 7/32	6 5/16	21/32	31/32	3/4	4 7/32	2 9/16	1.890	0.748	1/2 M14	UCP307	P307	UC307		
—	56	210	56	160	17	25	19	107	65	48	19						
40	1 1/2	1 15/16	7 1/4	2 1/8	5 13/32	21/32	13/16	23/32	3 27/32	2 3/32	1.937	0.748	1/2 M14	UCP208-24 UCP208-25 UCP208	P208	UC208-24 UC208-25 UC208	
	1 9/16	49.2	184	54	137	17	21	18	98	53	49.2	19					
	1 1/2	2 5/16	8 3/4	2 5/8	6 5/32	25/32	1 1/4	13/16	4 1/2	2 25/32	1.937	0.748					5/8 M16
1 1/2	58.7	222	67	156	20	32	21	114	71	49.2	19						
—	2 23/64	8 21/32	2 3/8	6 11/16	21/32	1 1/16	3/4	4 21/32	2 9/16	2.047	0.748	1/2 M14	UCP308-24 UCP308	P308	UC308-24 UC308		
—	60	220	60	170	17	27	19	118	65	52	19						
45	1 5/8	2 1/8	7 15/32	2 1/8	5 3/4	21/32	13/16	25/32	4 3/16	2 5/32	1.937	0.748	1/2 M14	UCP209-26 UCP209-27 UCP209-28 UCP209	P209	UC209-26 UC209-27 UC209-28 UC209	
	1 11/16	54	190	54	146	17	21	20	106	55	49.2	19					
	1 3/4																
	1 11/16	2 5/16	8 3/4	2 5/8	6 5/32	25/32	1 5/16	13/16	4 9/16	2 25/32	2.031	0.748	5/8 M16	UCPX09-27 UCPX09-28 UCPX09	PX09	UCX09-27 UCX09-28 UCX09	
1 3/4	58.7	222	67	156	20	33	21	116	71	51.6	19						

Remarks 1. In Part No. of unit and units with covers, fitting codes follow bore diameter numbers. (See Table 10.5 in P.62.)  
 2. Part No. of applicable grease fittings are shown below.  
 A-1/4-28UNF ..... 201~210, X05~X09, 305~308  
 A-R1/8 ..... 211~218, X10~X20, 309~328