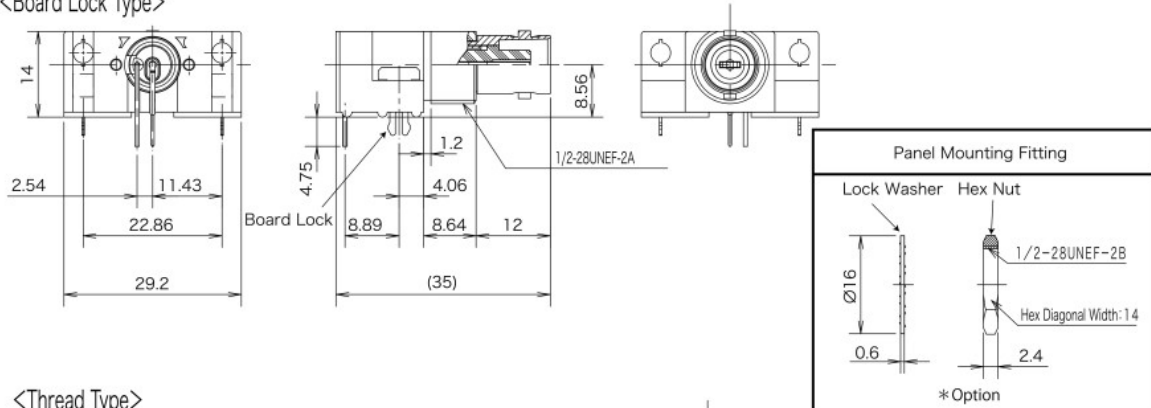


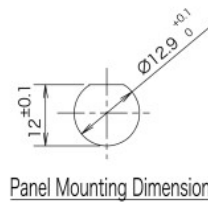
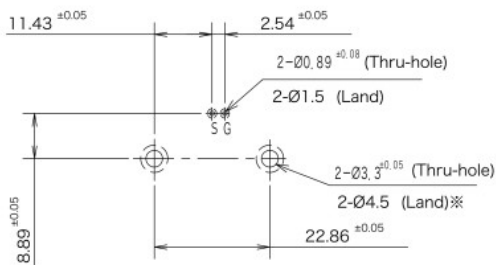
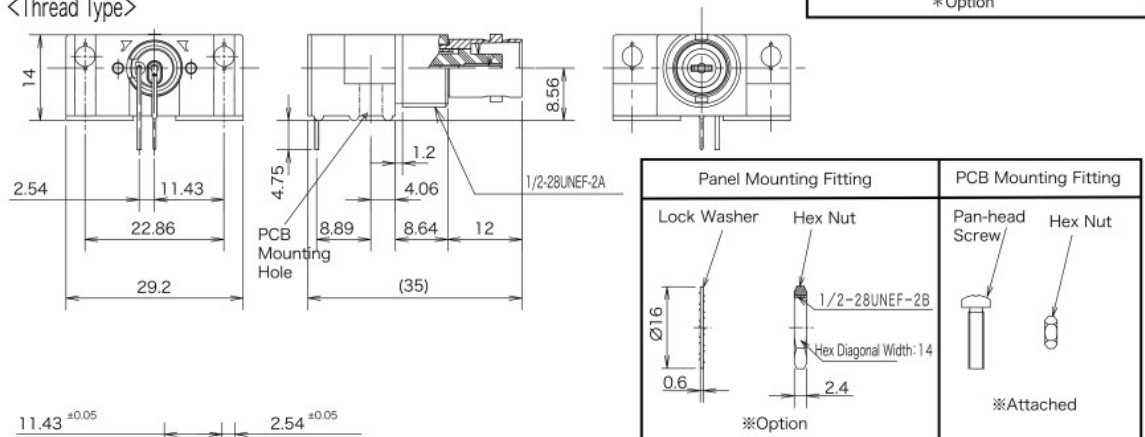
▶ Horizontal Mounting Style (with Flange)



<Board Lock Type>

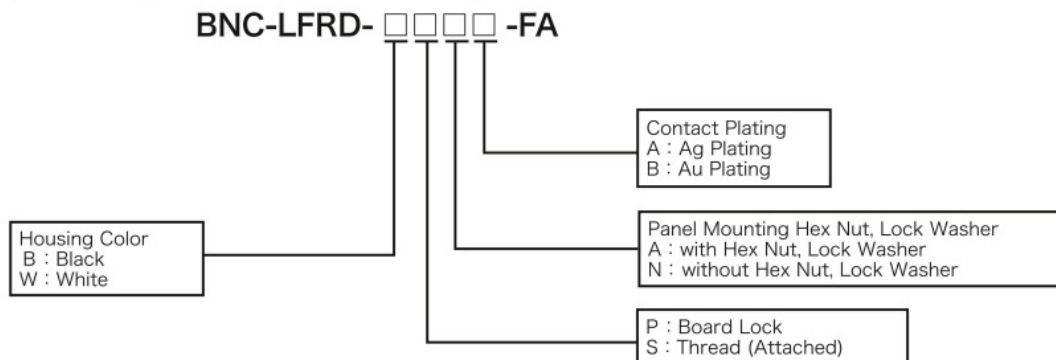


<Thread Type>



Note ※ Board lock style requires ϕ 4.5 land.

※ Board lock pins also requires soldering when mounting.



© Specifications and/or dimensions in this catalogue are subject to change without notice.

Your catalogue checking the latest specifications with our drawings would be highly appreciated.

<http://www.ddknet.co.jp>