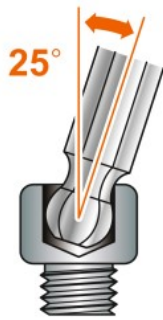
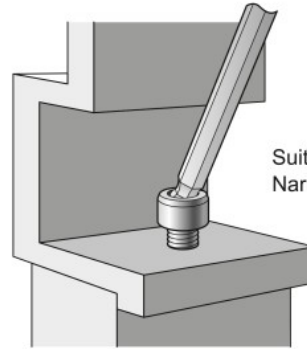


Ball Point



Designed to be used at an angle off-axis to the screw by 25 degrees, so as to avoid obstacles.



Suitable for Working in Narrow Spaces

Long type

Code	Ø mm	L mm	ℓ mm	Weight g	Box	Price ¥
AQ0150	1.5	90	14	1.4	10	750
AQ0200	2	100	16	3	10	750
AQ0250	2.5	112	18	5.2	10	770
AQ0300	3	126	20	8.8	10	770
AQ0400	4	142	23	16	10	860
AQ0500	5	160	28	30	10	1,010
AQ0600	6	180	32	50	10	1,330
AQ0800	8	200	36	100	10	1,690
AQ1000	10	224	40	178	10	2,310
AQ1200	12	250	45	290	3	3,630
AQ1400	14	280	56	448	3	4,540
AQ1700	17	320	63	754	4	7,780
AQ1900	19	360	70	1,055	4	10,280

- Special Alloy Steel (~ 0600)
- Alloy Steel (0800 ~)
- Nickel Chrome Plating
- Blister pack (0150 ~ 1400)



Code	Ø inch	L mm	ℓ mm	Weight g	Box	Price ¥
AQX0116	1/16	90	14	1.5	10	820
AQX0564	5/64	100	16	3	10	820
AQX0332	3/32	112	18	5	10	850
AQX0108	1/8	126	20	9.5	10	880
AQX0532	5/32	142	23	16.5	10	990
AQX0316	3/16	160	28	28	10	1,150
AQX0732	7/32	170	30	41	10	1,480
AQX0104	1/4	180	32	58	10	1,480
AQX0516	5/16	200	36	99	10	1,850
AQX0308	3/8	224	40	163	10	2,740

- Special Alloy Steel (~ 0316)
- Alloy Steel (0732 ~)
- Nickel Chrome Plating



inch



TOOL SETS

SPANNERS

STRIKING FACE WRENCHES

HOOK SPANNERS

DX2000 TOOLS
HEXAGON KEY WRENCHES

HEXAGON KEY WRENCHES

TORQUE WRENCHES

CROWFOOT WRENCHES

SOCKETS

OTHER TOOLS